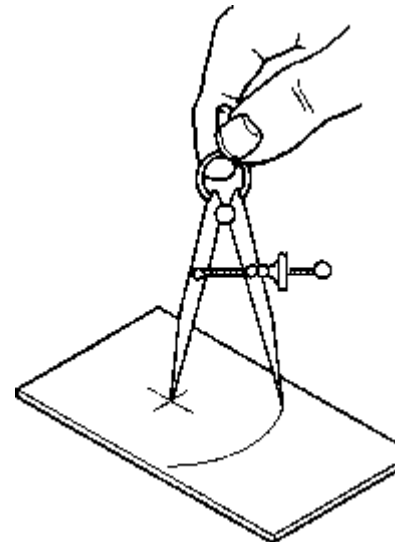
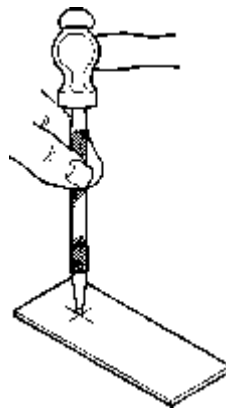
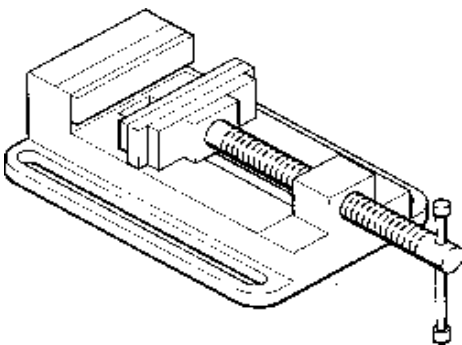
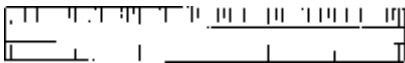
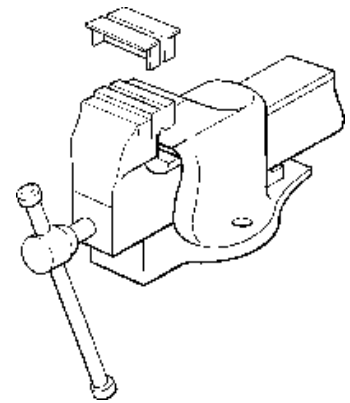
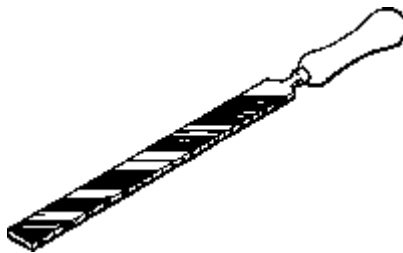
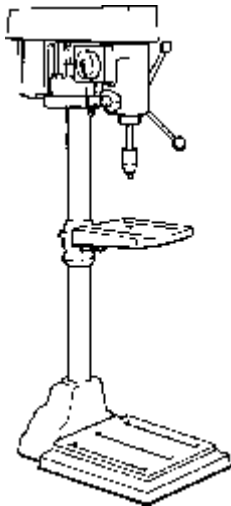


## Year 7 Homework (12)

<b>Name</b>	<b>Bottle Opener</b>
<b>Group</b>	<b>Tools</b>
<b>Date</b>	

1. Put the correct name next to the tools and equipment below, flat file, steel rule, bench vice, machine vice, centre punch, dividers, hack saw, pillar drill.



2. Draw the following tools, a scriber and a half round file.